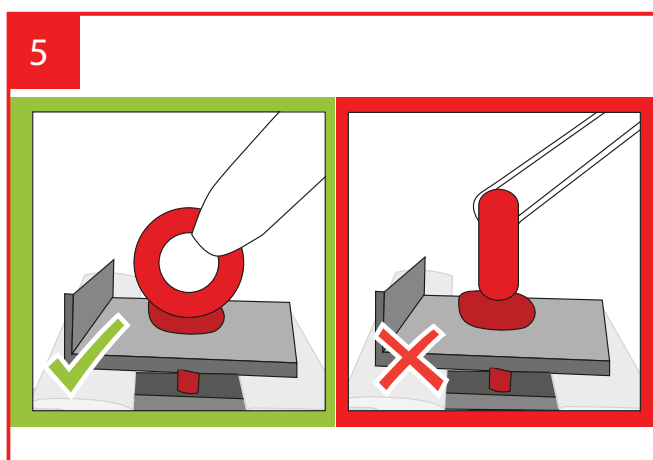
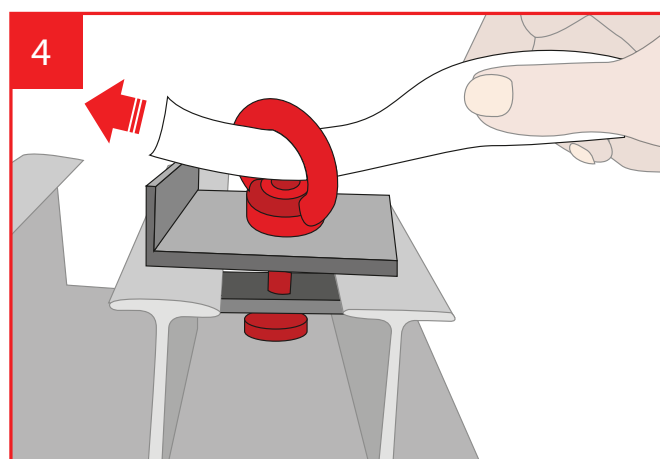
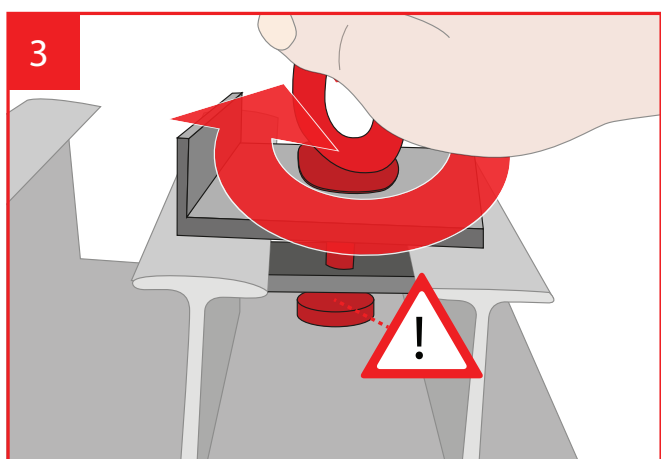
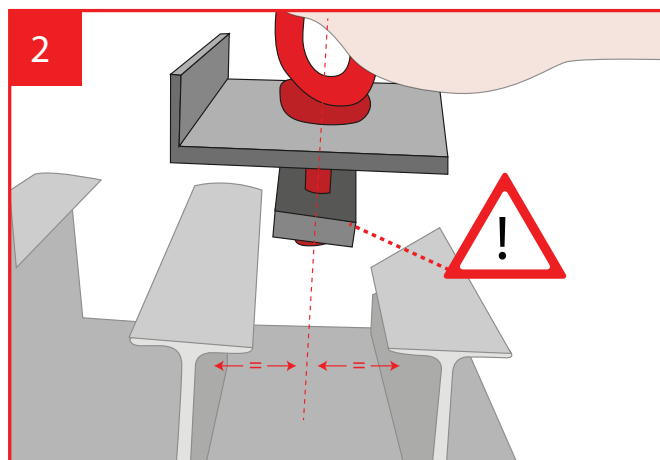
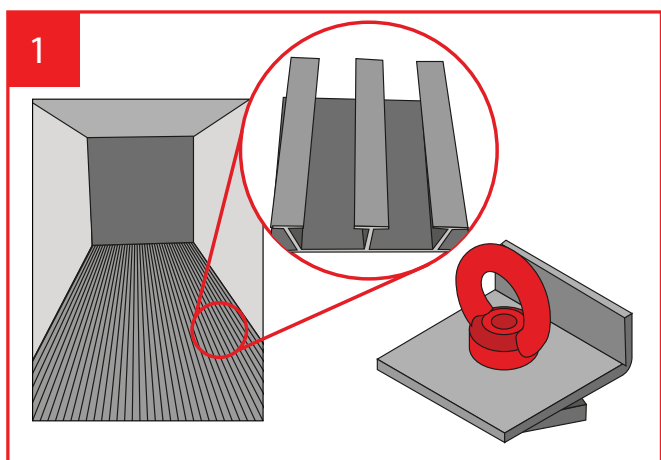


## Reefer Lashing point



Keeping the world's cargo safe

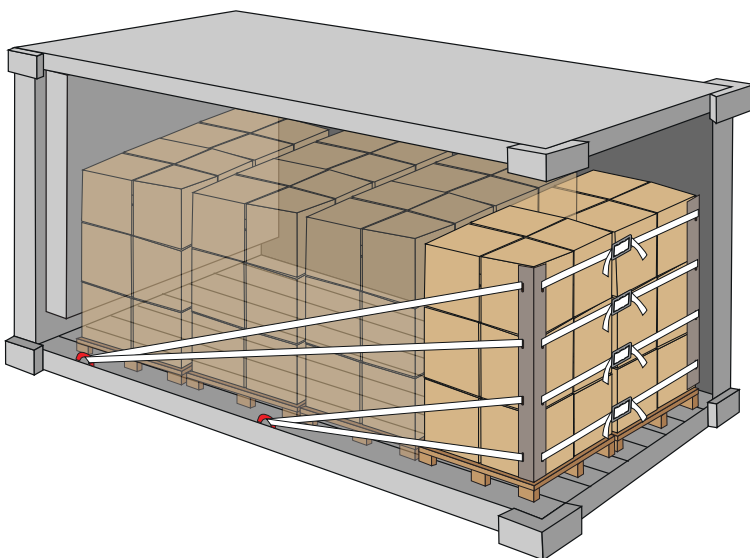
**cordstrap**

This container is secured with Cordstrap AnchorLash® with Reefer Lashing Point

### Cargo Details

Weight:

No. Systems applied:



AnchorLash®	Anchor Point MSL 1.000 daN / 2,200 lbf
System Breaking strength	4.000 daN / 8,800 lbf
System MSL	2.000 daN / 4,400 lbf

Conform CTU Code  
EN 12195-1:2010



**cordstrap**

www.cordstrap.com