

ROMS4 / TRS4-VA

Strapping Machine



- Stainless Steel Cabinetry Stands up to Harsh Conditions
- Low Maintenance DC Drives
- Side Seal Configuration for Conveyorized Operations
- Automation Options



ROMS4 / TRS4-VA

Standard Features

The Mosca ROMS4-VA and TRS4-VA automatic strapping machines are highly reliable side-sealing systems available with a range of control options and corrosion resistant stainless steel cabinetry to stand up to harsh conditions. The quick disassembly of the sealer head and automatic strap feed allow easy maintenance and minimal down time.

General

- Brushless DC motor technology
- Compact footprint
- Automatic coil-end detection and ejection
- Automatic strap loop ejection if the machine is cycled without a package in place
- TRS4-VA also contains a diagnostic system that aids in service and troubleshooting

Controls

- Operated via foot switch or push button
- Siemens S7 PLC with an HMI touchscreen control interface enables strapper to control external devices such as conveyors
- Upgradeable to cycle on signal exchange with an external system controller

Sealer

- Quick, tool-less cleaning with snap-apart internal strap guides
- Electronically controlled heat-weld sealing system provides consistent, high-strength seal joints.

Strap Path

- Fully enclosed for exceptional feed reliability
- Requires only 5" conveyor gap for integration
- Features automatic strap feeding for fast coil loading



EAM-Mosca offers knowledgeable technical support, readily available from our network of service technicians, strategically located throughout our service area. We provide system installation and offer in-plant training for your technical and

maintenance staff. We also offer equipment warranty and spare parts delivery services. Visit our website at www.eammosca.com or call us for more information.



Technical Data

Production Rates: Up to 45 bundles per minute.
Strap: 5mm, 6mm, 8mm, 9mm, and 12mm
Machine Grade Polypropylene
Track Sizes: 600mm W (23.6") x 650mm H (25.6")
Electrical Requirements: 200-575V, 50/60 Hz, 0.5 kVA 3 Ph
Strap Tension: DC Motor-Controlled, infinitely adjustable up to 60 Lbs.

Controls:

TRS4-VA: HMI touchscreen control interface with Siemens S7 PLC controller.

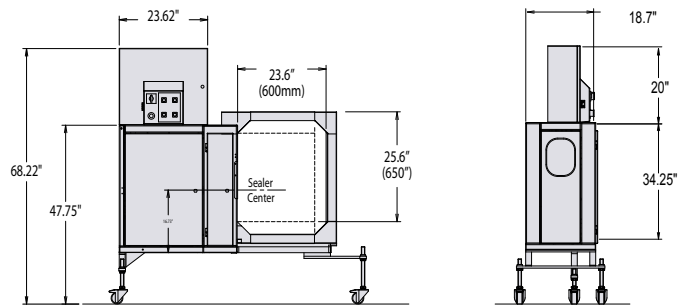
Strap Seal: Heat-Seal, Electronic Temperature Controlled

Machine Color: Mosca Blue RAL 5010

Machine Shipping Weight: Approx. 800 Lbs.

Options:

- Single Pneumatic Press
- Signal Lights for system fault(s)
 - 1-Color for 'Trouble'
 - 3-Color for 'Ready', 'Trouble' and 'Low Strap'
- Roller conveyor
- Powered roller conveyor (TRS only)
- Conveyor height on request



The **ROMS4-VA** and **TRS4-VA** represents only a portion of Mosca's offering of corrosion resistant automatic strapping systems. Also available are the Sonix[®] ROMP5-VA operator cycled, walk-up model; and the corrosion resistant or the washdown tolerant, fully-automatic Sonix[®] TRP5-VA. Visit our web site for more details or call us for info! Demo Programs available.



EAM-Mosca Corporation

675 Jaycee Drive
Hazle Township, PA 18202
ph: 800.456.3420
570.459.3426
fx: 570.455.2442
www: info@eammosca.com
www.eammosca.com

In Canada, call or write

Eam-Mosca (Canada) Ltd.
170 William Smith Drive
Whitby, Ontario L1N 9N3
ph: 905.665.8225
fx: 905.665.8188