

MOSCA[®]

STRAPPING SYSTEMS

RO-TRI-5

FULLY AUTOMATIC STRAPPING MACHINE



**FULLY AUTOMATIC STRAPPING MACHINE FOR
LONGITUDINAL STRAPPINGS APPLIED IN-LINE**

Economic, Easy-To-Operate, High Speed Strapping
Machine With Wear-Free DC Drive

► **MOSCA – THE WORLD OF STRAPPING**

Fully Automatic Strapping Machine

RO-TRI-5

STANDARD FEATURES

- Can be integrated into most production lines
- Strapping applied in transport direction without bundle turning
- Electromechanic double press (no pneumatic necessary)
- Wear-free DC drive, brushless motor technology
- Variable speed conveyor systems with easy access
- Touch panel for optic operating instructions, troubleshooting guide, etc.
- PLC control
- Thermostatically controlled 24 volt heat-weld sealing system
- Fully automatic strap threading
- Strap end detection with ejection of remaining strap
- Automatic strap loop ejection when machine cycles without bundle
- Wear-free, controlled strap track system
- Structural coating RAL 5010, gentian blue
- Up-stream and down-stream die-back systems

OPTIONS

- Automatic strap tension adjustment
- Special coating as per RAL scale
- Bump-proof base frame with adjustable legs / castors
- Traffic light warning system including low strap indication

TECHNICAL DATA

CAPACITY:

Up to 36 bundles / minute

STRAPPING:

Standard machine grade 5, 6, 8 and 9 mm PP straps

STRAP COIL DISPENSER:

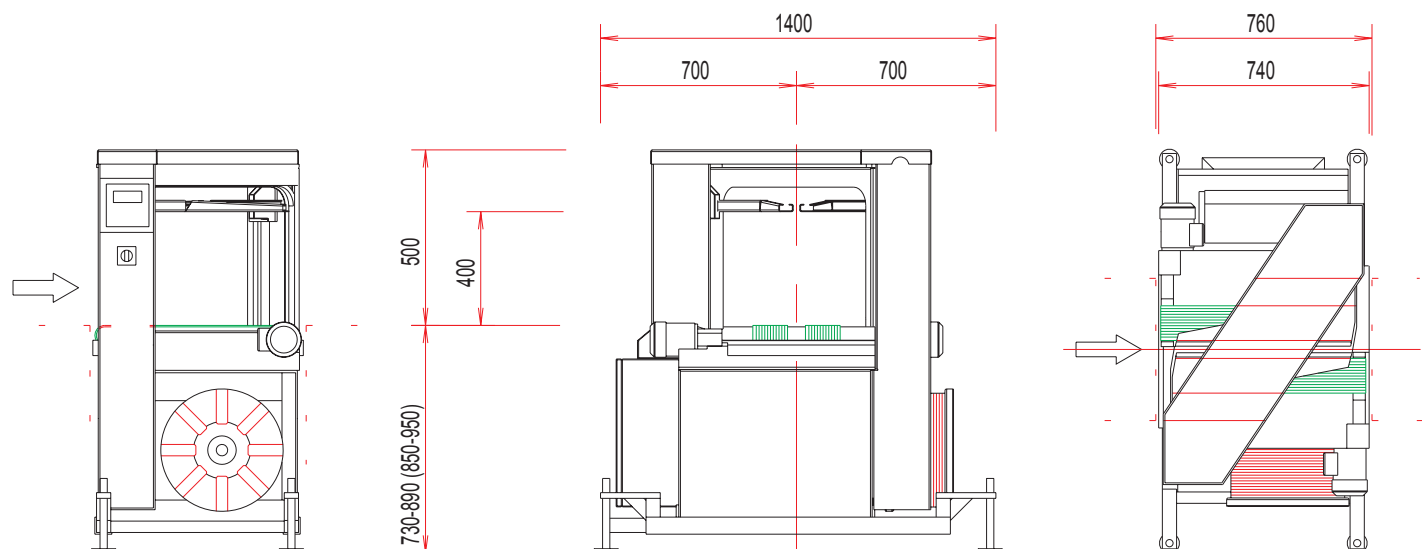
Core Diameter: 200 mm
Core Width: 190 mm

ELECTRICAL POWER:

Voltage: 400 V (415, 440),
50/60 Hz, 3 PH
16 A CEE-plug
Power Consumption: 2 kVA

WEIGHT:

430 kg



04 / 08 Subject to Alterations

**MASCHINENFABRIK
GERD MOSCA AG**

Gerd-Mosca-Straße 1
D-69429 Waldbrunn/Strümpfelbrunn
Tel.: +49 (0) 62 74 / 9 32-0
Fax: +49 (0) 62 74 / 9 32-400 118
Tel. Service: +49 (0) 62 74 / 9 32-110
Internet: <http://www.mosca-ag.com>
E-Mail: info@mosca-ag.com



MOSCA
STRAPPING SYSTEMS